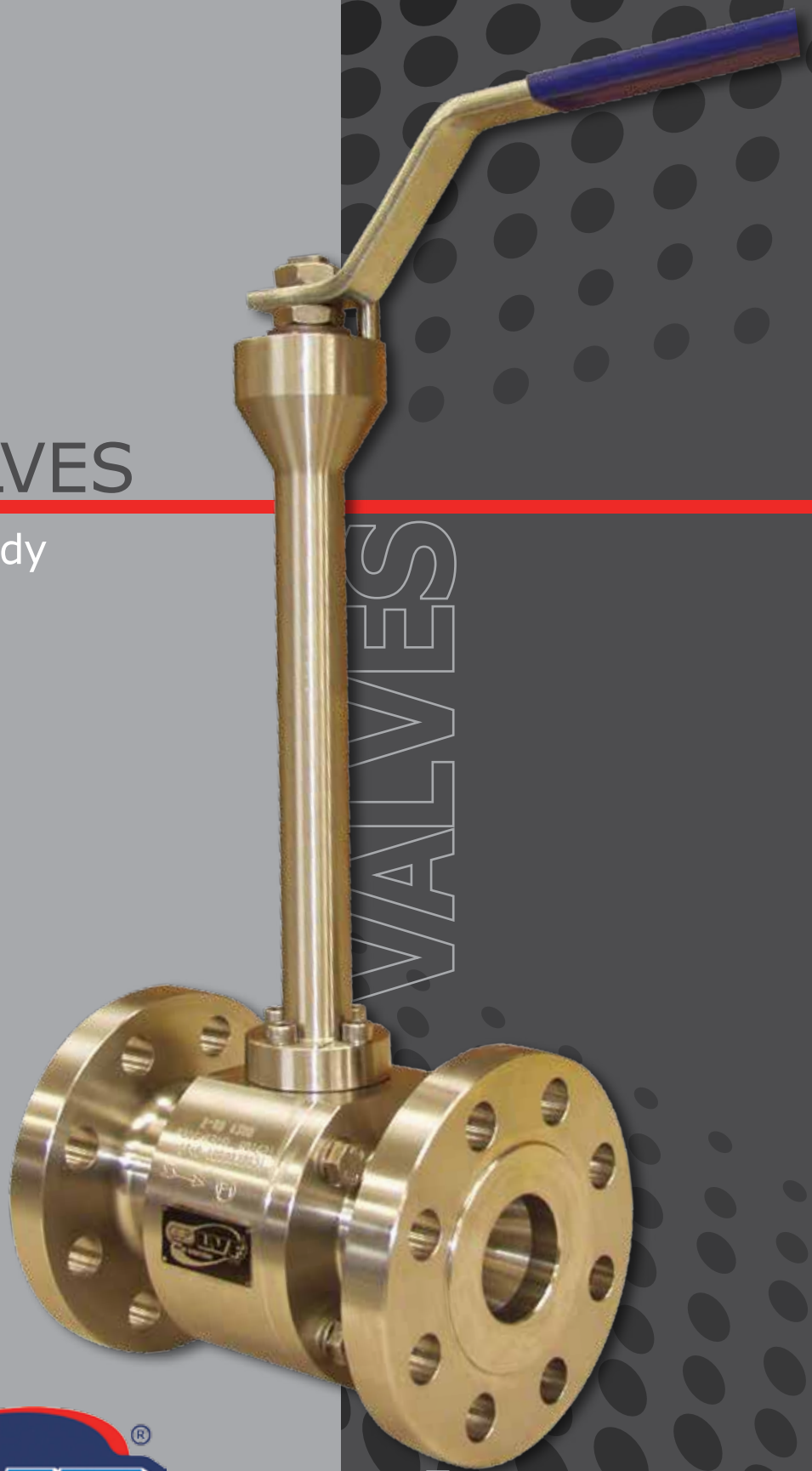


# Floating **BALL VALVES**

- **S**plit Bolted Body
- **T**op Entry
- **M**odular



VALVES  
BALL

FLOATING

# BALL Product Range

## SPLIT BODY



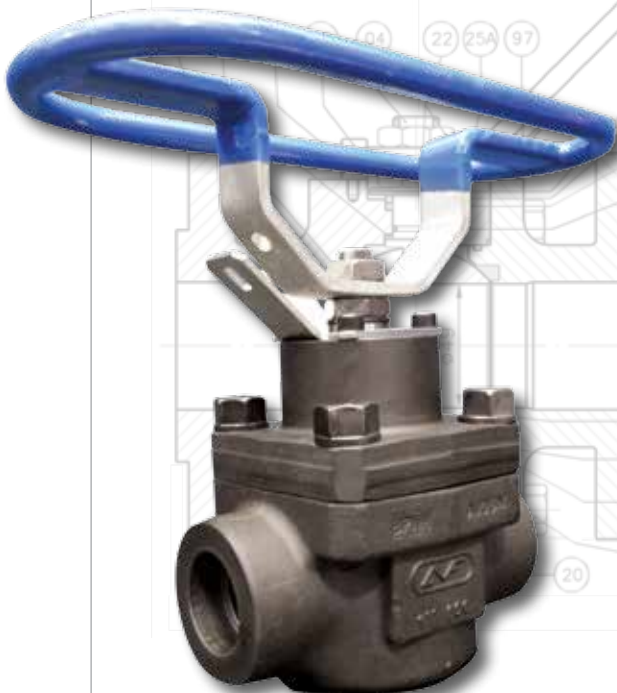
**Construction:** Two piece/Three piece Bolted design, Fully Welded  
**Connection:** BW, HUB and Flanged

## SPLIT BODY



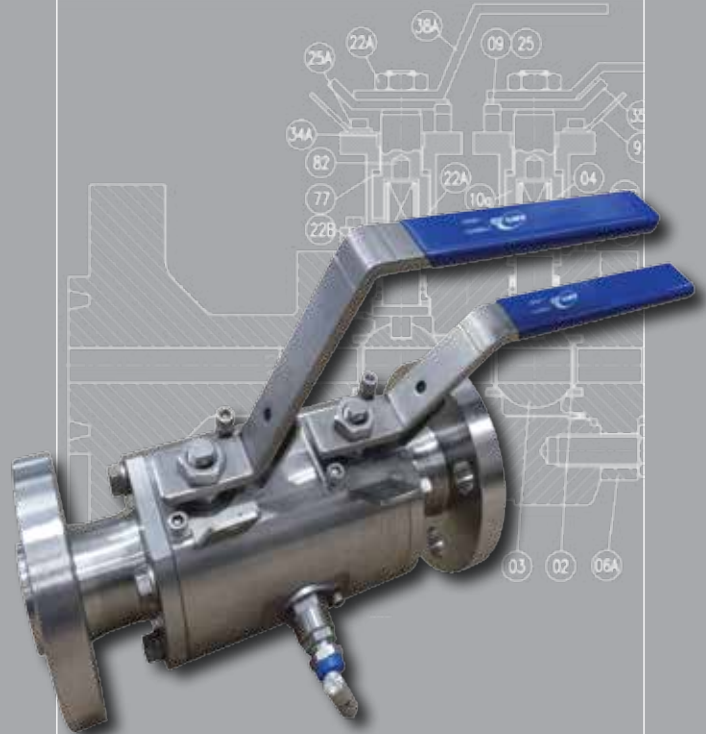
**Construction:** Three piece Bolted design  
**Connection:** SW, NPT, BW

## TOP ENTRY



**Construction:** Top Entry  
**Connection:** BW, SW, NPT, HUB and Flanged

## MODULAR



**Construction:** DB&B, SB&B, Split Bolted Body, Top Entry, Fully Welded  
**Connection:** SW, NPT, BW, HUB and Flanged

# BALL SPLIT Body

**Construction:** Two/Three piece Bolted design, Fully Welded

**Connection:** BW, HUB and Flanged

**Sealing:** Soft or Metal Seated

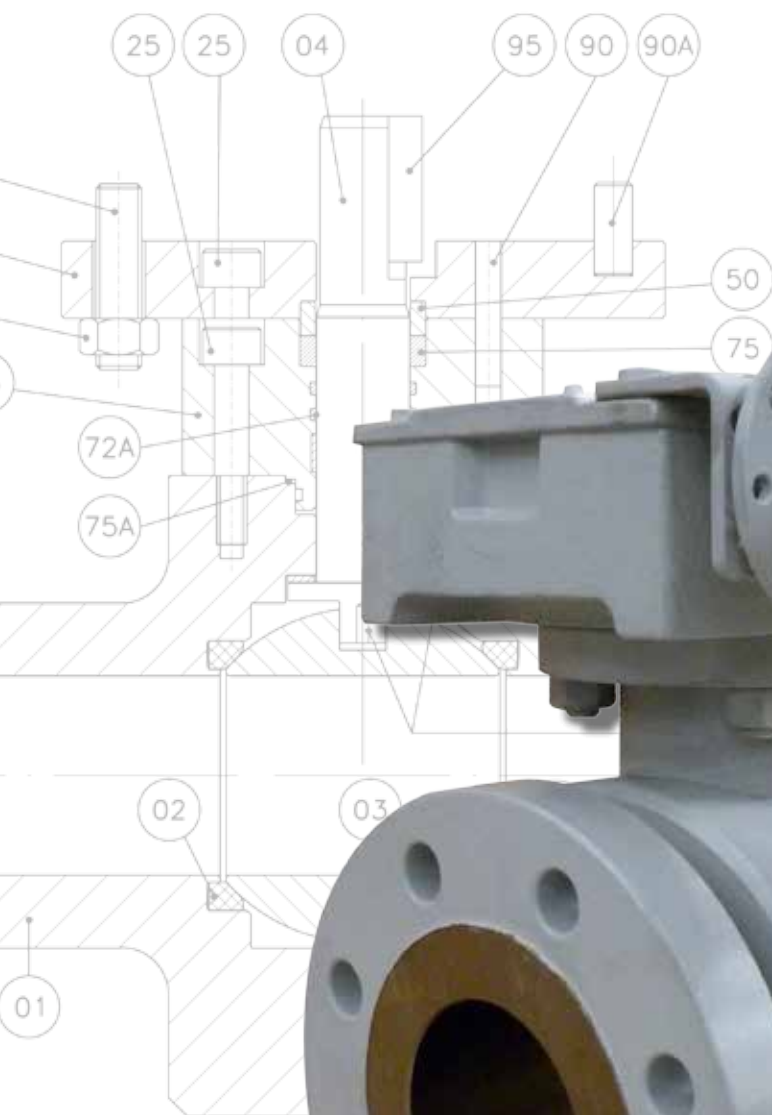
**Design:** API 608, ISO 17292, BS 5351, ASME B16.34

**Classes:** ANSI 150 - 4500

**Sizes:** From 1/2" to 8"

**Materials:** Carbon steel, Low alloy steel, Stainless steel, Duplex and Special alloys

**Special service:** Cryogenic or High temperature

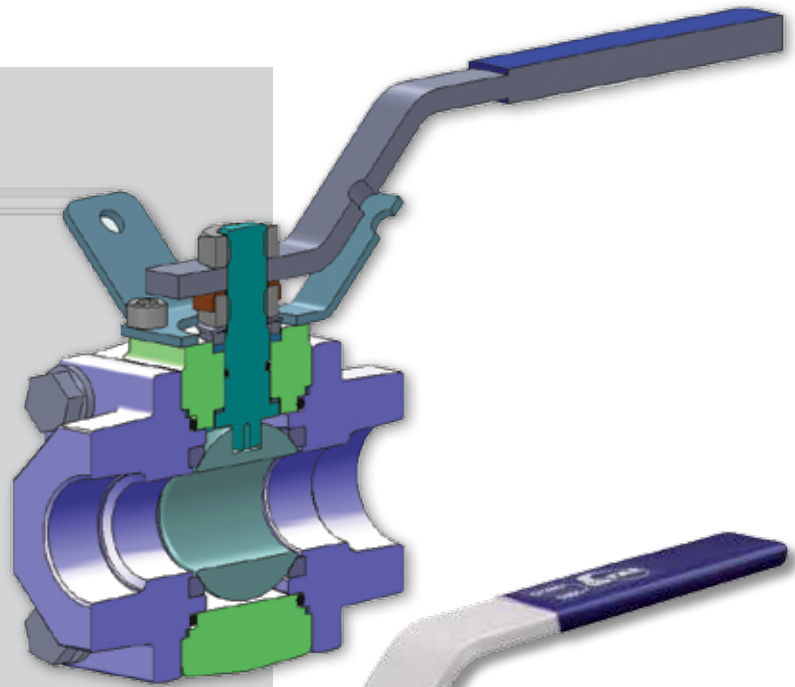
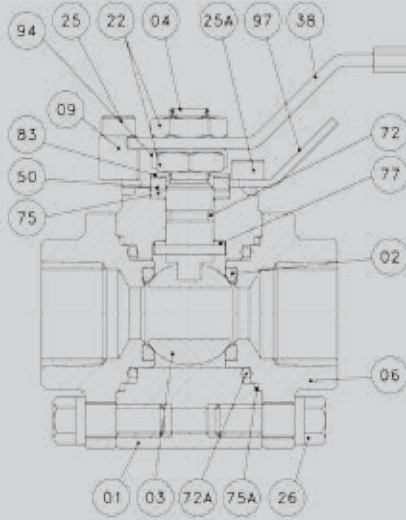


# BALL SPLIT Body

from 1/4" to 2"

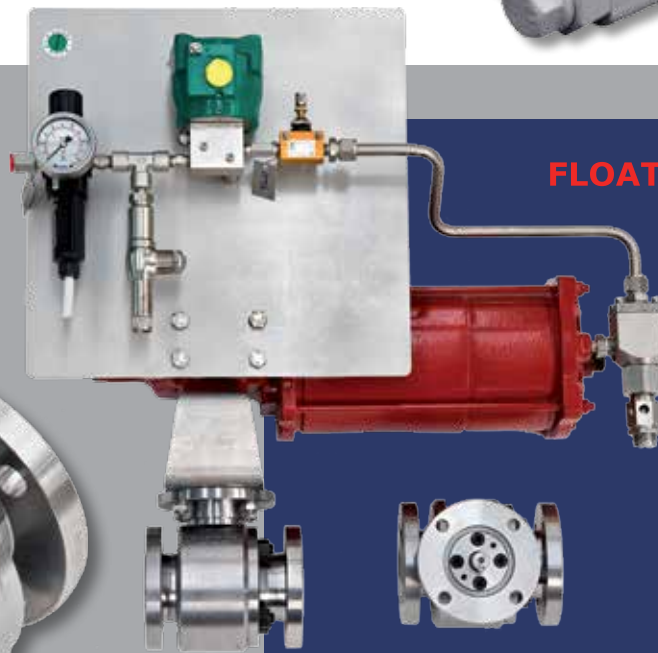
POS. PARTICULAR NAME

01	BODY
02	SEAT
03	BALL
04	STEM
06	FLANGE
09	STOP PIN
22	NUT
25	SCREW
26	BOLTS
32	THRUST BEARING
38	LEVER
50	PACKING GLAND
72	O-RING
75	GASKET
82	ANTISTATIC DEVICE
83	SPRING WASHER



**Construction:** Three piece  
**Connection:** SW, NPT, BW  
**Sealing:** Soft or Metal Seated  
**Design:** API 608, ISO 17292, BS 5351, ASME B16.34  
**Classes:** ANSI 800, 1500, 2500, 4500  
**Sizes:** From 1/4" to 2"  
**Materials:** Carbon steel, Low alloy steel, Stainless steel, Duplex and special alloys  
**Special service:** Cryogenic or High temperature

**Dedicated Feature for valve ready to take actuator: direct connection between valve - actuator**



## FLOATING Ball Valves

Housing Design: Split Body  
 Operator: Pneumatic Actuator  
 Rating: 150  
 Nominal Size: 1 1/2"  
 Port Design: Full Bore  
 End Connection: Flanged Ends



**Construction:** On-line Maintainable

**Connection:** BW, HUB and Flanged

**Sealing:** Soft or Metal Seated

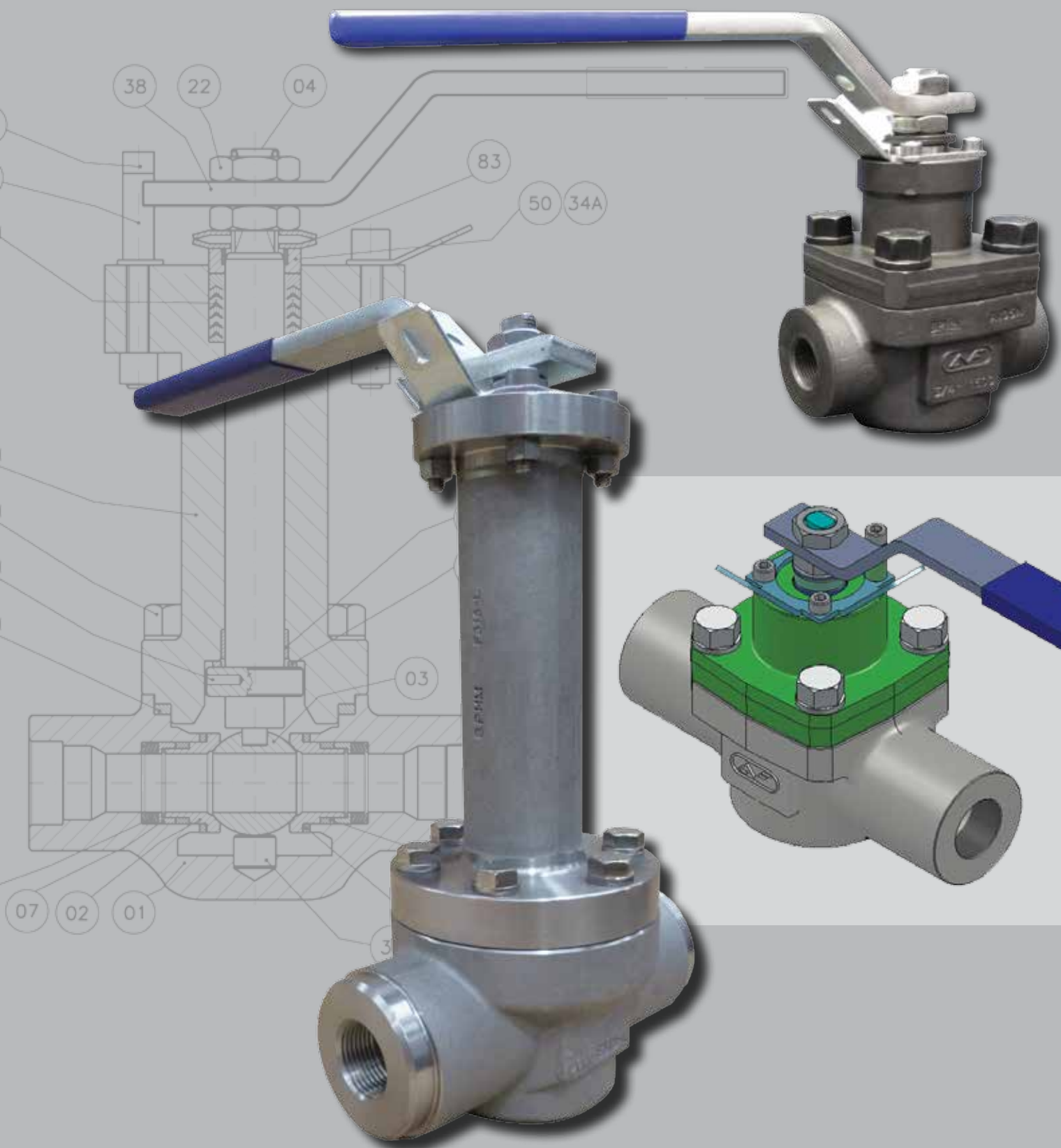
**Design:** ASME B16.34, API 608, ISO 17292, BS 5351

**Classes:** ANSI 150 - 2500

**Sizes:** From 1/2" to 8"

**Materials:** Carbon Steel, Low alloy steel, Stainless steel, Duplex and Special alloys

**Special service:** Cryogenic or High Temperature



**Construction:** DB&B, SB&B, Split Bolted Body, Top Entry, Fully Welded

**Sealing:** Soft or Metal Seated

**Design:** ASME B16.34, EEMUA 182

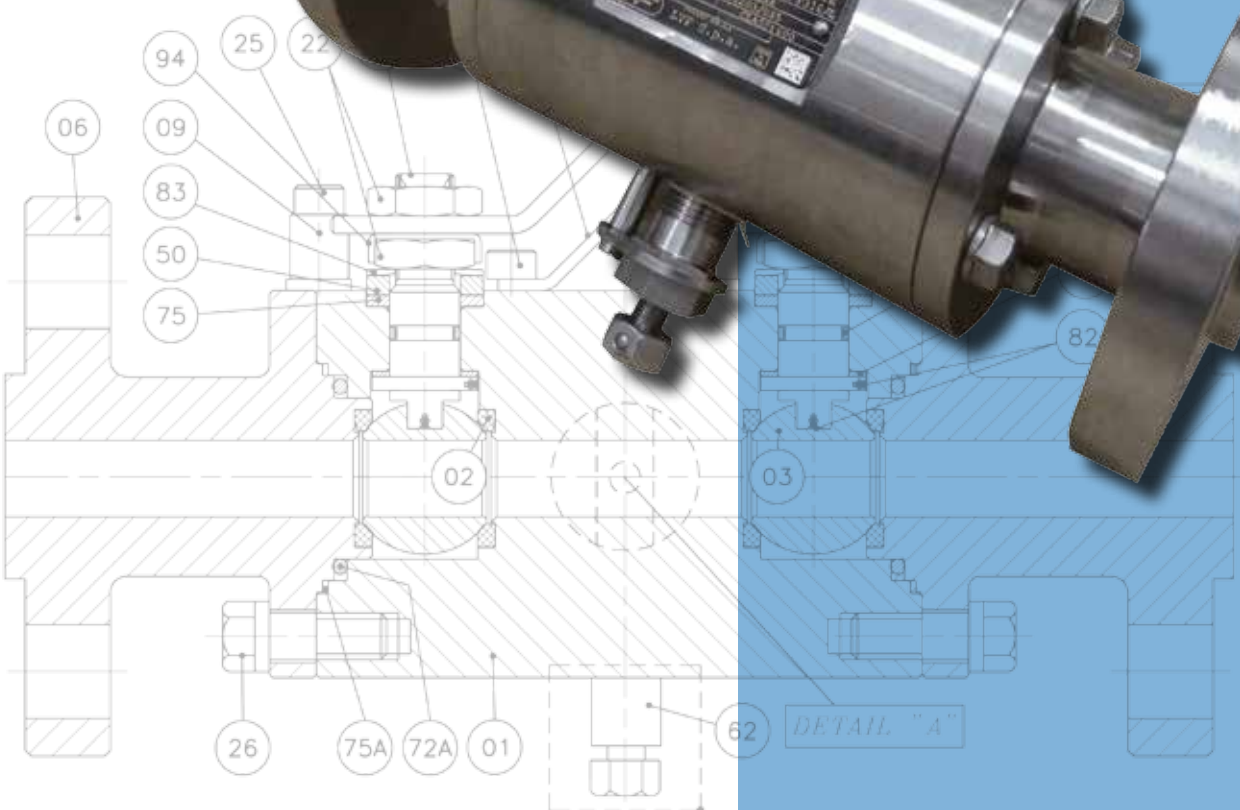
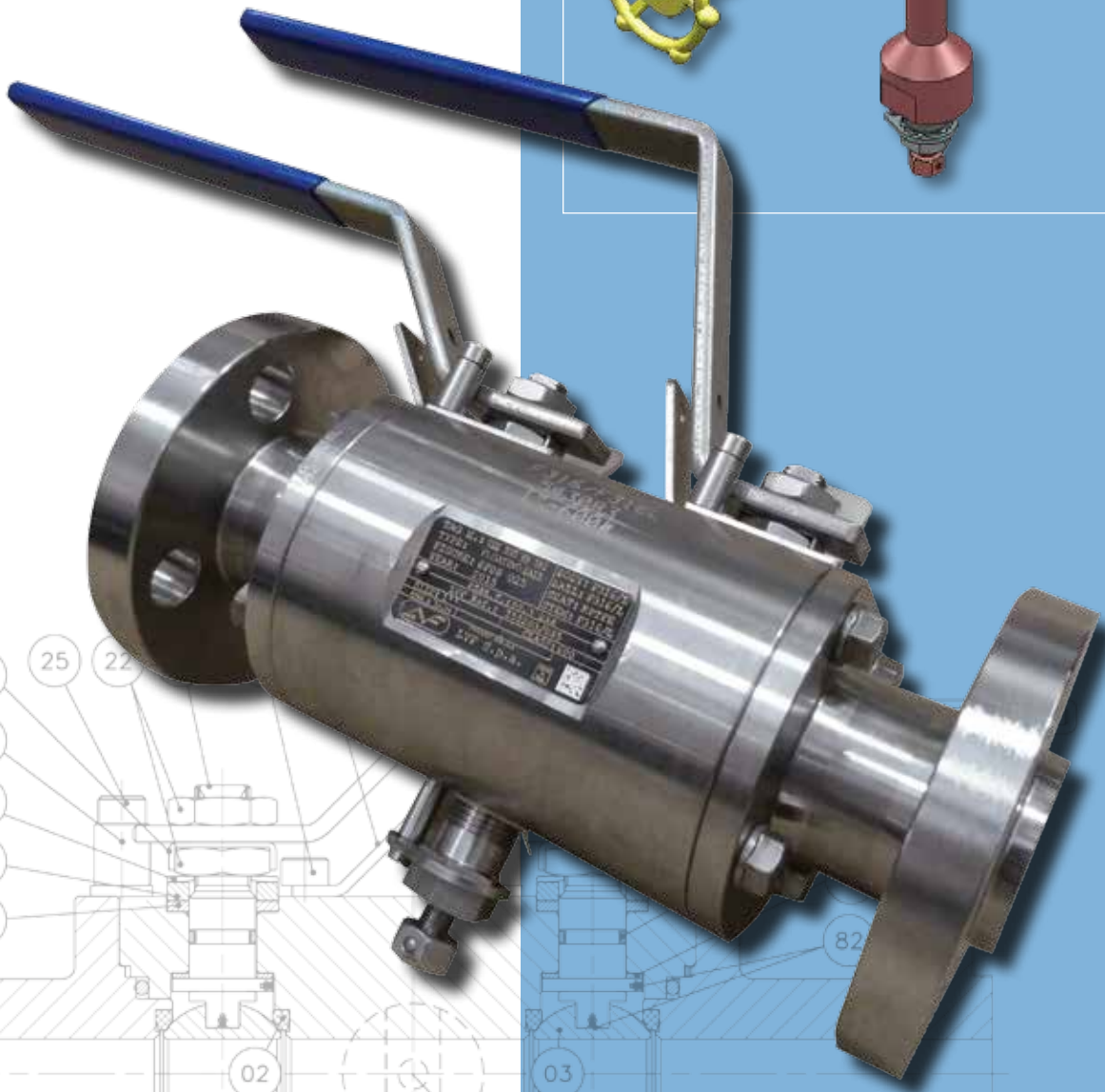
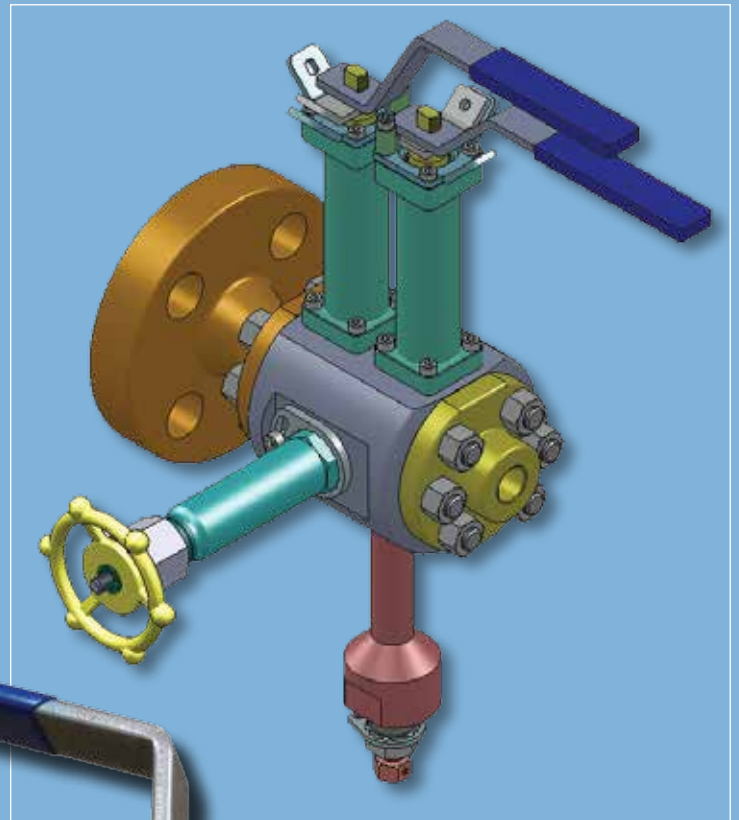
**Classes:** ANSI 150 - 4500

**Sizes:** From 1/2" to 8"

**Materials:** Carbon steel, Low alloy Steel, Stainless steel, Duplex and Special alloys

**Special service:** Cryogenic or High temperature

**Ends:** SW, NPT, BW, HUB and Flanged  
Any combination can be provided  
(Ball/Needle/Ball or any other)



The Company has a Quality Management System according to the requirements of ISO 9001-2000 and is accredited to Pressure Equipment Directive 97/23/CE (New 2014/68/EC) PED.

LVF S.p.A. does manufacture and test all its products in the accordance with international standards & codes issued by API-BS-ASME etc. Valve test facilities are available in house and non-destructive testing is performed by certified level II inspector.



API 6D



ISO 14001



ATEX



ISO 9001



ACHILLES JQS



PED



SIL-BALL



1



**HEADQUARTERS & MACHINING PLANT**

2



**TESTS, ASSEMBLY & SHIPPING PLANT**

3



**RAW MATERIAL WAREHOUSE**

4



**WAREHOUSE**



Via Giuseppe Mazzini, 6  
24060 SAN PAOLO D'ARGON (BG) - Italy

P.Iva 03076750169

Phone: +39 035 4255211

Fax: +39 035 959210

info@lvf.it - www.lvf.it

